

CE-B1810IPHi



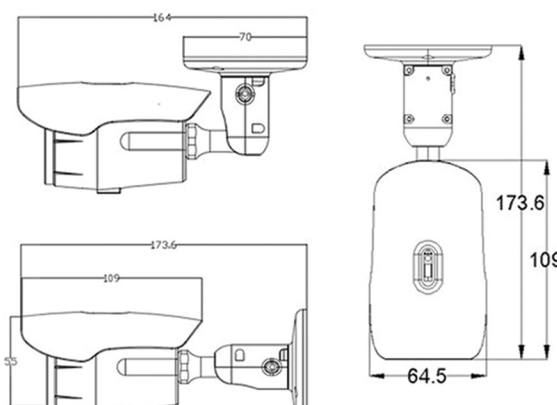
FEATURES

- 180ms High Speed Transfer
- Multi-Protocol For Smooth Surveillance
- Black IR Led With Elegance
- Stylish & Delicate Design
- 3-Axis bracket

KEY FEATURES



- Embedded Linux, dicaryon 32bits DSP, Real Hard compression, watchdog Timer, firmware network ports power supply with anti thunder design.
- Standard 3.6mm Fix lens, 24pcs black LEDs, constant current, constant voltage infrared Lamp board design. IR Distance 20M.
- Waterproof IR Camera, hidden 3Axis bracket, perfect meet IP66 waterproof Level.
- IR in Night, Day & Night 24 hours monitoring, IR-CUT Switch, Real true color in day, more clear picture in night.
- Standard H.264 video compression, high compression ratio, good view quality.
- With intelligent transmission technology(bandwidth adaptive, The stream rate of Dynamic adjustable, support Hybrid stream)
- Mega HD 1MP/1.3MP/ 2MP, Clear picture, support dual-stream output.
- 1.0MP, Color 0.1 Lux@F1.2, B/W 0.01 Lux@F1.2, 0 Lux@F1.2 with IR
- Support standard Onvif, support multi-platform, terminal, and network.
- Support cloud service, no need mapping ports and parked the domains, easily implement the Outer network access.
- Support IE, Chrome, Firefox, Safari, Opera and other general browser.
- Support Android, IPHONE, IPAD remote real-time monitoring, and mobile monitoring.
- Support motion detection alarm, linked photo, record, trigger mail alarm notification, FTP recording etc.
- Support WIFI transfer, WEP, WPA/WPA, WPA-PSK/WPA2-PSK multiple encryption (optional).
- Support remote firmware upgrade
- Support multi user visiting, multi device management



SUMIKAWA

TECHNICAL SPECIFICATION



Model	Model No.	CE-B1810IPHi	
General Function	Model	IP66 IR Bullet Camera	
	Feature	Economic	
	CMOS Model	1.0Megapixel, 1/4" Progressive CMOS	
	Illumination	Color	0.1Lux@F1.7
		B/W	0Lux@F1.7(AGC ON)
	Shutter Speed	1/25Sec~ 1/100,000Sec,Shutter Speed Adjustable	
	Lens	Standard 3.6mm(F1.2/M12 Mount)Mega HD Lens	
	Day&Night	ICR Filter	
DNR	3D DNR		
Compression Standard	Compression Standard	H.264	
	Audio Encoding	G.726/G.722/G.711 Standard, 64Kbps Transfer Speed	
	Output	32 Kbps~8Mbps	
Video efficiency	Effective Pixel	1280*720	
	Video Frame Rate	50Hz:25fps (1280*720)	
		60Hz: 30fps (1280*720)	
	Image Setting	Brightness, Saturation, Luminance, Contrast Ratio Adjustable Through Client or IE.	
	Model	Auto/Indoor/Outdoor optional	
	Exposure mode	1/50~1/10000S	
	Electronic shutter	HIGH/MIDDLE/LOW Optional	
	AGC	ON/OFF Optional	
BLC	Support, Area Optional		
Network function	Storage	FTP, Network, Local, NVR recording By ONVIF	
	Protocal	ONVIF Protocal	
	Smart alarm	Motion Detection, Video Loss, Alarm input, linked photo, record, trigger mail alarm notification, FTP recording etc.	
	Support	support DHCP/DDNS/Email/NTP/PPPOE/UPNP/FTP/RTSP/DAS/P2P etc. network protocol	
	Agreement		
	General Function	Mirror,rolling-over,daylight lamp anti-twinkle,OSD, privacy mask	
Interface	Communication Interface	1 RJ45 adaptive Ethernet port	
	Power Interface	1pc	
	BNC Output	1CH	
	Audio input	N/A	
	Audio output	N/A	
	Extended Interface	POE Optional	
Other standard	Working Environment	Environment Temperature-30°C~+60°C Camera Temperature: 25°C~35°C Humidity: <95%	
	Power	DC12V±10%	
	Power Consumption	6W - MAX 12W (ICR switch 10-12W)	
	IR Led	24pcs Korea Black LED	
	IR Distance	20m IR Distance	
	Size(mm)	173.6× 64.5× 55 mm	
	Weight	0.65 Kg	

